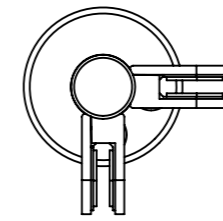
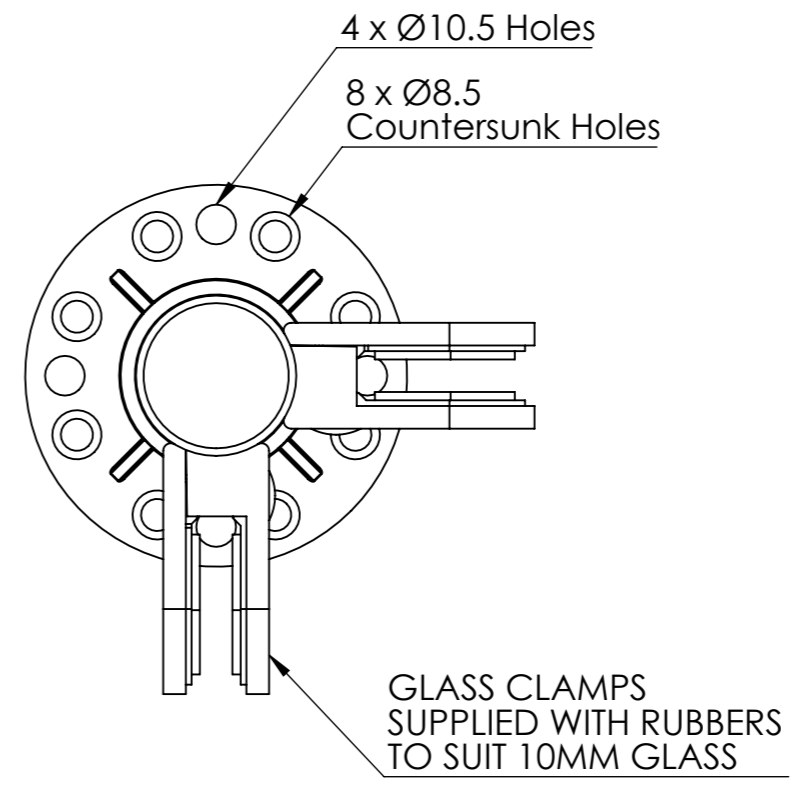


PLAN VIEW



Base Plate Detail  
Scale 1:2



Note:  
Layout and number of holes in base may vary.

