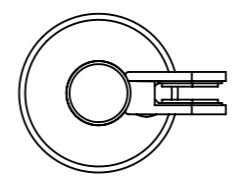
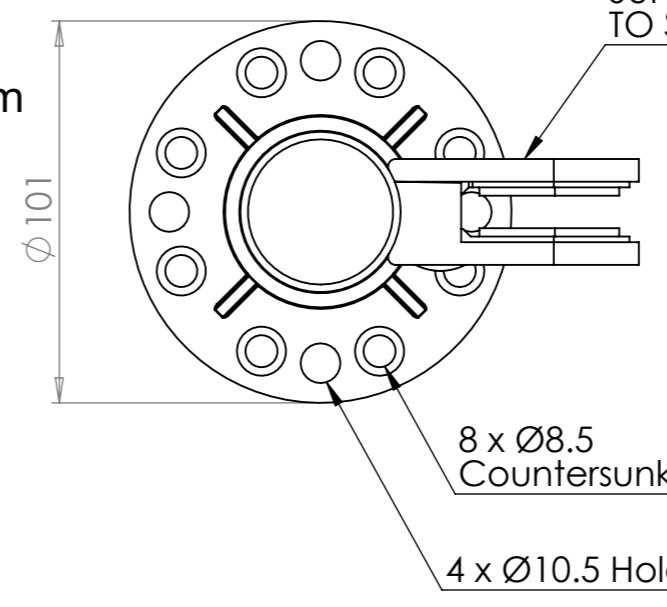


PLAN VIEW



Base Plate Detail  
Scale 1:2



GLASS CLAMPS  
SUPPLIED WITH RUBBERS  
TO SUIT 10MM GLASS

8 x  $\phi 8.5$   
Countersunk Holes  
4 x  $\phi 10.5$  Holes

Note:  
Layout and number of holes in base may vary.

